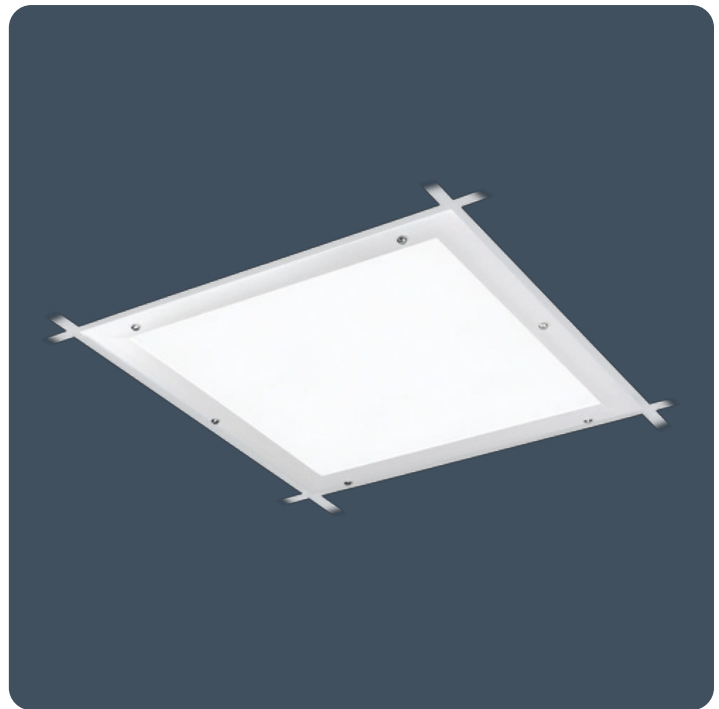


Cleanroom LED recessed luminaires

IP65 recessed modular luminaires with quick release extruded aluminium cover frame and a choice of two front covers. Satisfies the requirements of cleanroom classifications FS209D 10,000 and 100,000 and ISO BSEN 14644-1, 7 and 8.

Applications: printing works, water treatment plants and pump rooms, industrial process areas, shower rooms and toilet blocks, food preparation areas.

- Quick release extruded aluminium cover frame
- Cover seals to ceiling with FDA approved silicone gasket
- Optional tamper-resistant cover screws
- Fits most suspended ceiling types or cut apertures
- SmartScan wireless technology removes the need for control cabling. Ideal for retro-fit



IP65 (IP20 above ceiling)

IK10

Up to 116.3 LL/CW

SMARTSCAN

LUXGUARD

Specification

Mounting	Recessed	IP rating	IP65 (IP20 above ceiling)
Impact rating	IK10	Max presence detection height	8 m

Lighting

Optic	Low glare diffuser Opal diffuser	Lumen output	2,250 lm - 4,805 lm
Efficacy	Up to 116.3 LL/CW		

Emergency data

Emergency lumen output	215 lm - 300 lm	Emergency type	Maintained
Emergency duration	3 hours	Battery specification	Nickel Metal Hydride (NiMH)

Power

LED power	26 W - 38 W	Circuit power	30 W - 43 W
-----------	-------------	---------------	-------------

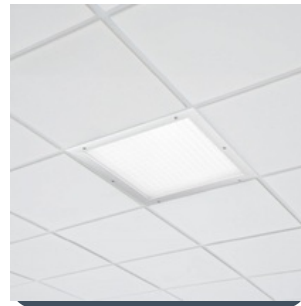
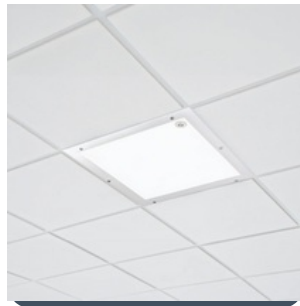
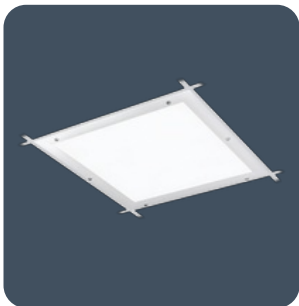
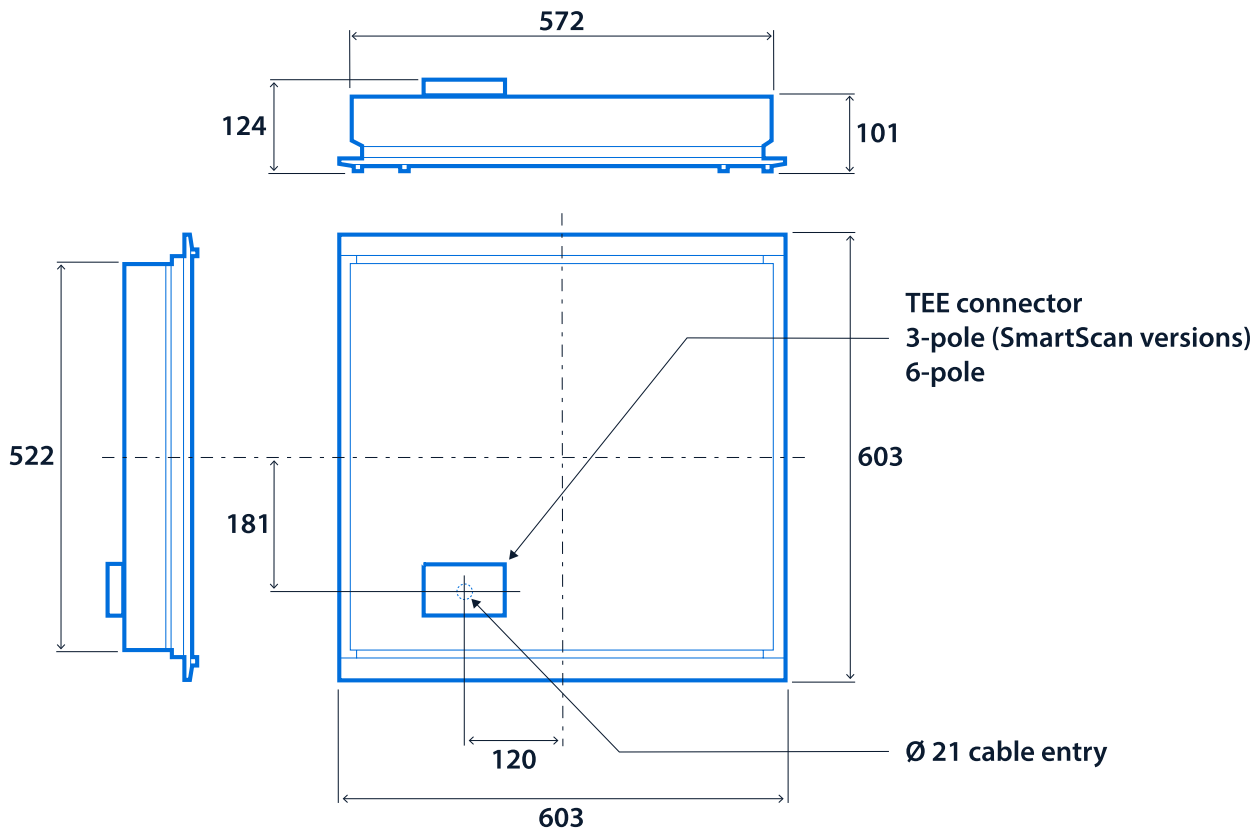
LED characteristics

CRI	80+ 90+	Colour temperature	4000 K
Rated life (hours)	100 K - L80/B10		

Compliance

UKCA	Yes	CE	Yes
C-Tick (Aus)	Yes	Thermoplastic rating	TP(a)

Dimensions



Click or scan here
View Cleanline variants using
our online filtering tool



Information is correct as of 01 Jan 2025, however must not be interpreted as a guarantee of individual product performance and/or characteristics. We reserve the right to alter specifications and designs without prior notice.