

IP66 circular luminaires

Circular wall mounted aluminium body luminaires with a high efficiency satin polycarbonate cover and a choice of four cover frame styles. Maintained emergency versions available.

Applications: external pathway highlighting for schools, hospitals, retail, and other commercial environments. Anti-ligature versions available.

- Strong high-pressure die-cast LM2 aluminium body and cover frame
- High efficiency fire-retardant satin polycarbonate diffuser
- Complies with M.O.D. JSP482 Chapter 8 Document for 'Category C' areas
- Photocell option
- Microwave presence detection option with stand-by light level feature
- SmartScan wireless technology removes the need for control cabling. Ideal for retro-fit



IP66
IK10
Up to 106.4 LL/CW
SMARTSCAN
LUXGUARD

Specification

Mounting	Surface	IP rating	IP66
Impact rating	IK10	Max presence detection height	2.4 m

Lighting

Optic	Satin diffuser	Lumen output	855 lm - 2,070 lm
Efficacy	Up to 106.4 LL/CW		

Emergency data

Emergency lumen output	245 lm - 290 lm	Emergency type	Maintained
Emergency duration	3 hours	Battery specification	Nickel Metal Hydride (NiMH)

Power

LED power	11 W - 16 W	Circuit power	14 W - 20 W
-----------	-------------	---------------	-------------

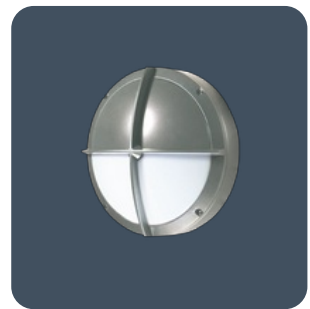
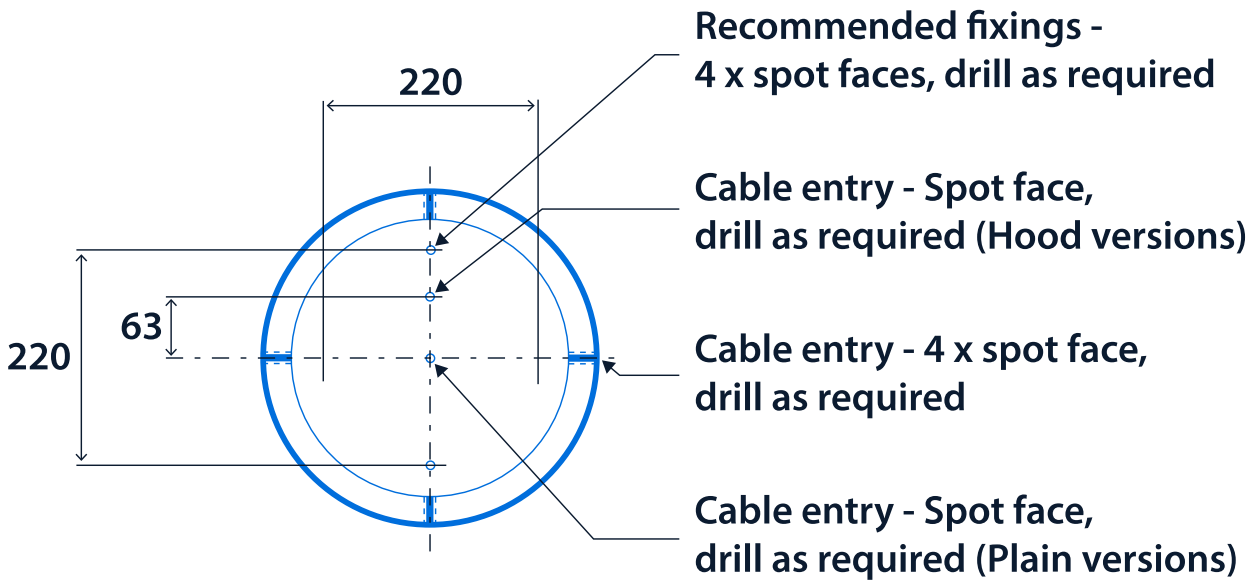
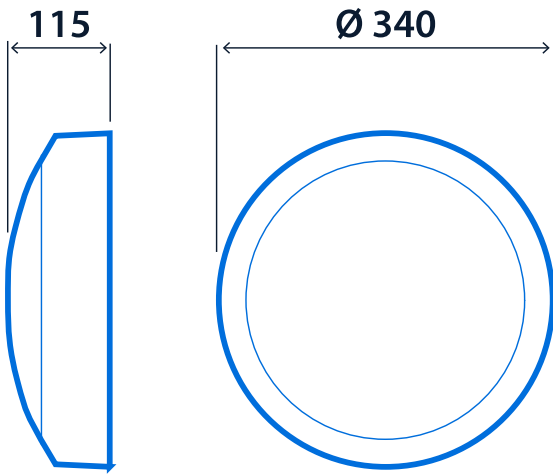
LED characteristics

CRI	80+	Colour temperature	4000 K
Rated life (hours)	100 K - L80/B10		

Compliance

UKCA	Yes	CE	Yes
C-Tick (Aus)	Yes	MOD compliance	JSP482 Chapter 8 Document for 'Category C' areas

Dimensions





Click or scan here
View Cobalt variants using our
online filtering tool



Information is correct as of 29 Dec 2024, however must not be interpreted as a guarantee of individual product performance and/or characteristics. We reserve the right to alter specifications and designs without prior notice.