

High output emergency luminaires for surface mounting with SmartScan wireless technology

High-power LED emergency luminaires for surface mounting with SmartScan wireless communication. Discrete LED emergency luminaires with superb optical performance. Three hour, non-maintained emergency operation. Choice of IP54 square or IP66 circular body styles.

Applications: Areas with increased mounting heights or where increased illumination levels are required.

- Suitable for higher mounting applications
- Aids compliance with BS5266-1:2016 for areas where enhanced illumination is needed at specific locations
- Low standby power consumption (1.7 W total)
- Status indicator shows operational condition
- Easily replaceable Nickel Metal Hydride (NiMH) ECO-Power Pack battery
- Simple to install, full status reporting SmartScan wireless communication



Up to IP66

0 LL/CW

Specification

Mounting	Surface	IP rating	Up to IP66
----------	---------	-----------	------------

Emergency data

Emergency lumen output	555 lm - 565 lm	Emergency type	Non-maintained
Emergency duration	3 hours	Battery specification	Nickel Metal Hydride (NiMH)

Power

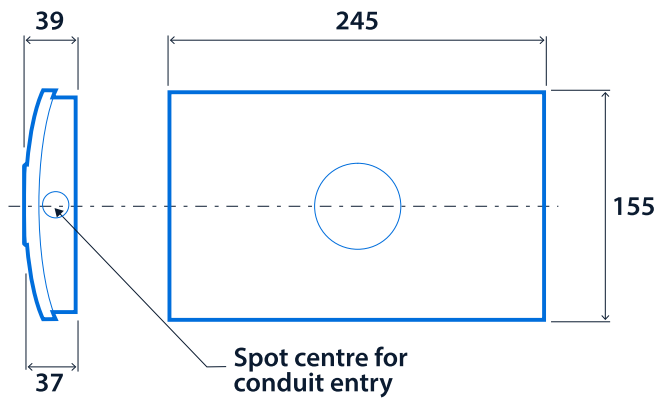
LED power	4 W	Circuit power	4 W
-----------	-----	---------------	-----

Compliance

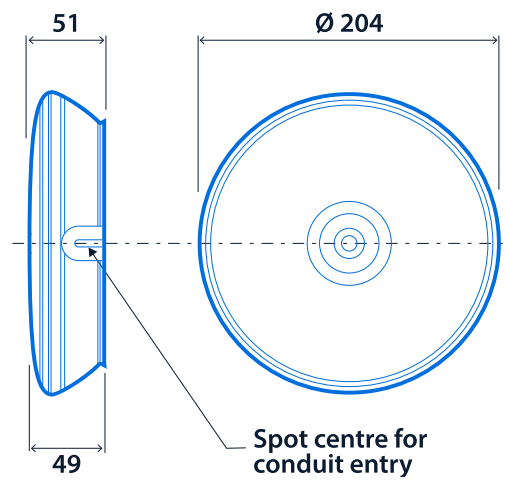
UKCA	Yes	CE	Yes
C-Tick (Aus)	Yes		

Dimensions

Square body



Circular body



Click or scan here

View Firefly Plus Surface variants using our online filtering tool



Information is correct as of 01 Jan 2025, however must not be interpreted as a guarantee of individual product performance and/or characteristics. We reserve the right to alter specifications and designs without prior notice.