

Enhanced circular surface downlighters

Surface or suspended luminaires featuring high performance metalized inner reflector with wide or narrow distribution options. Choice of white or anti-glare black injection moulded outer reflector. Glare control is excellent at 50° and above. Very efficient LEDs, 11 W, 24 W and high-output 40 W versions.

Applications: Staircases, entrance spaces, offices, corridors, reception areas, toilets and retail.

- Choice of white or anti-glare black injection moulded flame-retardant outer reflector for dynamic appearance
- Tool free access and no visible fixings
- Excellent glare control at 50° and above
- CRI 80 and CRI 90 available as standard. CRI 90 LEDs with enhanced R9 value available to special order
- Suspended option via suspension kit (sold separately)



IP40

Up to 121.4 LL/CW

Specification

Mounting	Surface Suspended	IP rating	IP40
----------	----------------------	-----------	------

Lighting

Lumen output	1,570 lm - 4,855 lm	Efficacy	Up to 121.4 LL/CW
--------------	---------------------	----------	-------------------

Power

LED power	11 W - 40 W	Circuit power	14 W - 45 W
-----------	-------------	---------------	-------------

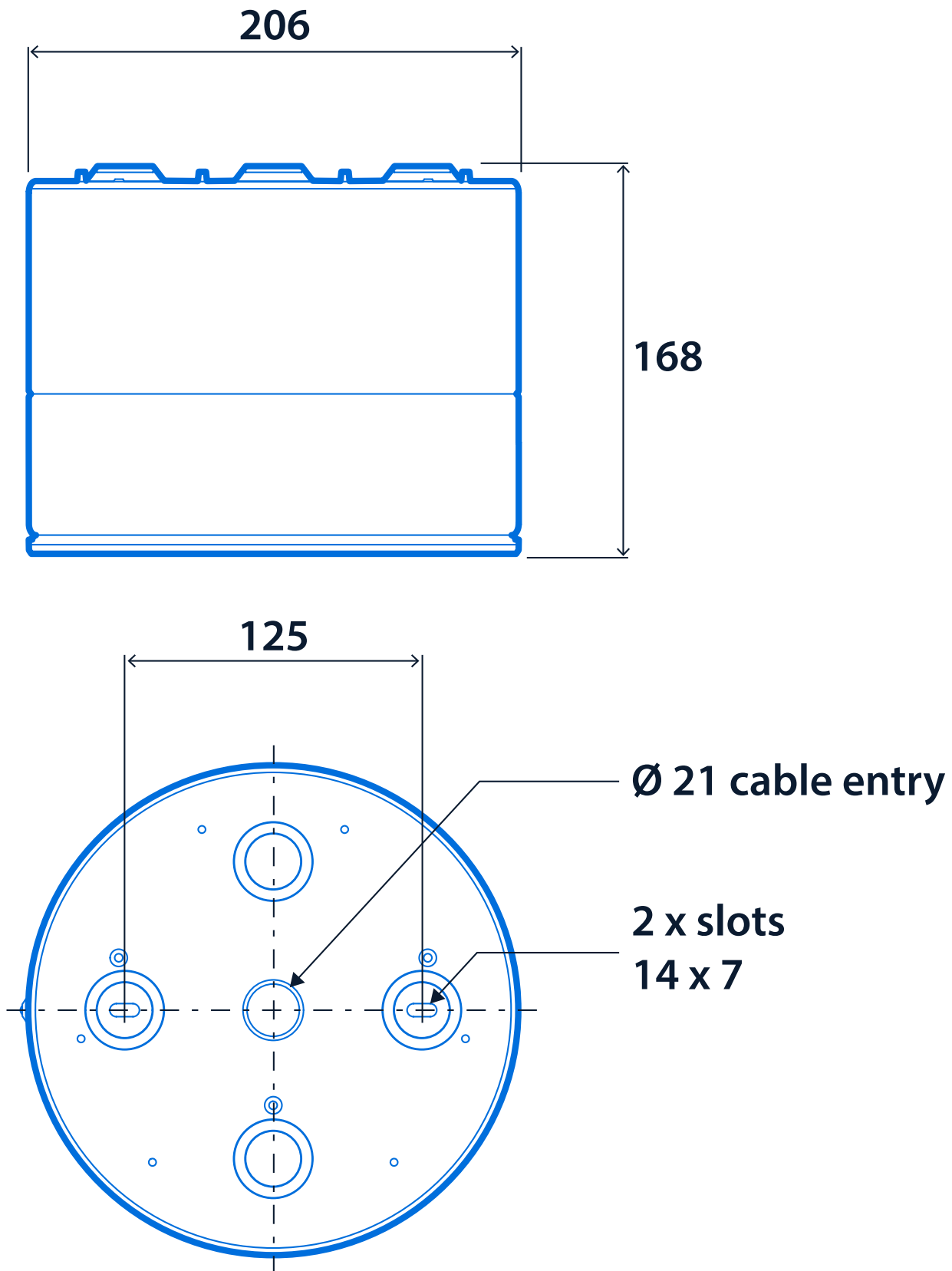
LED characteristics

CRI	80+	Colour temperature	3000 K 4000 K
Rated life (hours)	50 K - L70/B10		

Compliance

UKCA	Yes	CE	Yes
C-Tick (Aus)	Yes		

Dimensions





Click or scan here
View G3 Pro Surface variants
using our online filtering tool



Information is correct as of 29 Dec 2024, however must not be interpreted as a guarantee of individual product performance and/or characteristics. We reserve the right to alter specifications and designs without prior notice.