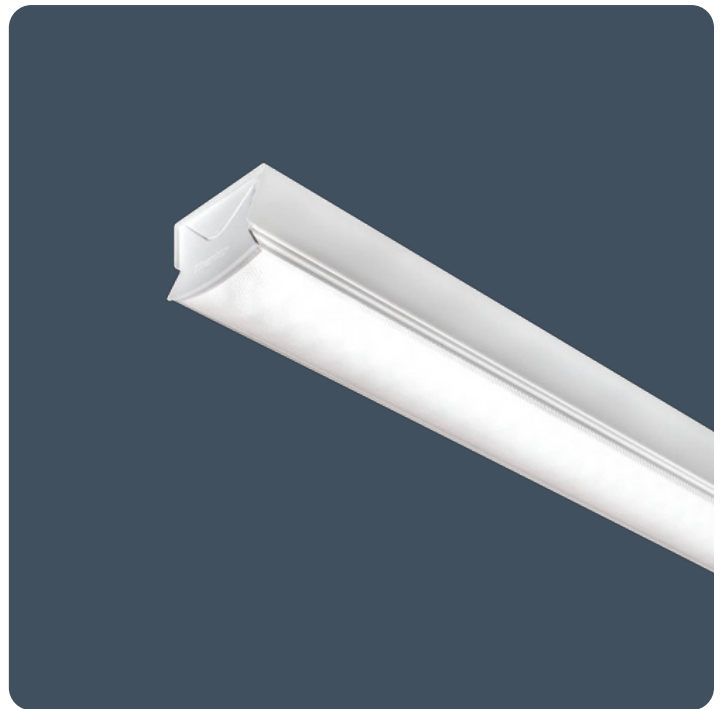


Narrow body LED controller luminaires

Narrow unobtrusive LED luminaire designed for rapid installation. All versions have the facility for conduit entry at either end as standard, with no additional drilling or cutting required. BESA fixings are located at 600mm centres with multiple cable entries to enable retrofitting without the need to modify the luminaire.

Applications: Hospital, schools, social housing, data centres.

- Polycarbonate diffuser: Carefully controlled nanoprism optic version for EN12464-1 / LG7 (<3000 cd/m² @ 65°) compliance or opal version
- Fire-retardant external plastic parts
- Designed to exclude dust, dirt and flies
- SmartScan wireless technology removes the need for control cabling. Ideal for retro-fit



IP40

Up to 138.8 LL/CW

SMARTSCAN

LUXGUARD

Specification

Mounting	Surface	IP rating	IP40
Nominal size	1200 mm 1500 mm	Max presence detection height	8 m

Lighting

Optic	Low glare diffuser Opal diffuser	Lumen output	2,190 lm - 6,510 lm
Efficacy	Up to 138.8 LL/CW		

Emergency data

Emergency lumen output	330 lm - 380 lm	Emergency type	Maintained
Emergency duration	3 hours	Battery specification	Nickel Metal Hydride (NiMH)

Power

LED power	15 W - 43 W	Circuit power	19 W - 49 W
-----------	-------------	---------------	-------------

LED characteristics

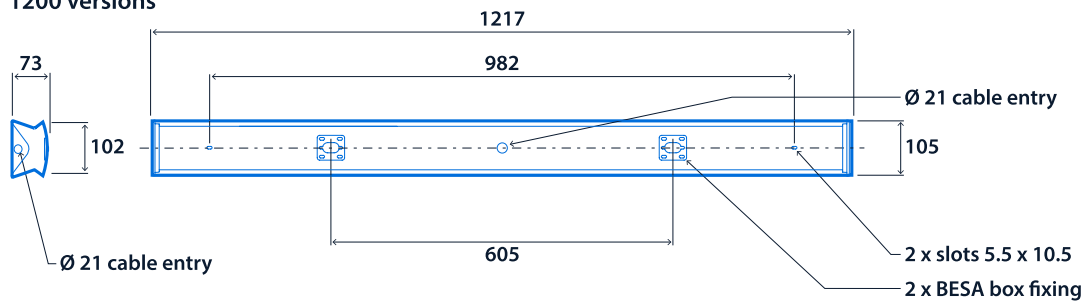
CRI	80+	Colour temperature	4000 K
Rated life (hours)	90 K - L80/B10		

Compliance

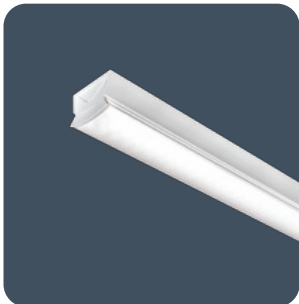
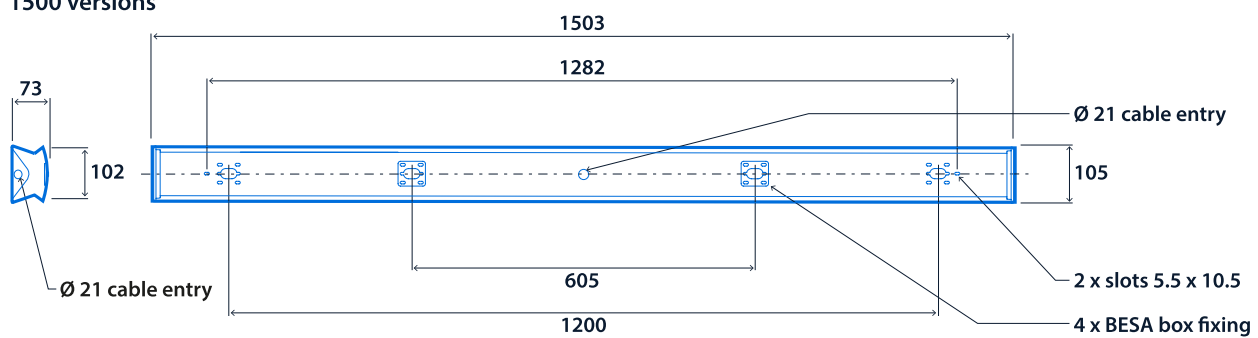
UKCA	Yes	CE	Yes
C-Tick (Aus)	Yes		

Dimensions

1200 versions



1500 versions



Click or scan here
View Kanby Evo variants using
our online filtering tool



Information is correct as of 29 Dec 2024, however must not be interpreted as a guarantee of individual product performance and/or characteristics. We reserve the right to alter specifications and designs without prior notice.