

Vandal-resistant luminaires

Luminaires suitable for internal or external use. Strong high-pressure die-cast aluminium body with flame-retardant polycarbonate cover. Photocell and maintained emergency versions available.

Applications: security areas, precincts, subways, passages and corridors.

- Tamper-resistant cover screws as standard
- Optional photocell control
- Optional bezel trim for semi-recessed mounting
- Complies with M.O.D. JSP482 Chapter 8 Document for 'Category C' areas
- Microwave presence detector option with stand-by light level feature
- SmartScan wireless technology removes the need for control cabling. Ideal for retro-fit

Notes: Photocell options are not suitable for semi-recessed or cornice mounting



IP65

IK11

Up to 125.4 LL/CW

Specification

Mounting	Surface	IP rating	IP65
Impact rating	IK11	Max presence detection height	2.4 m

Lighting

Optic	Low profile satin cover Satin cover	Lumen output	1,645 lm - 2,395 lm
Efficacy	Up to 125.4 LL/CW		

Emergency data

Emergency lumen output	340 lm - 380 lm	Emergency type	Maintained
Emergency duration	3 hours	Battery specification	Lithium Iron Phosphate (LiFePO4) Nickel Metal Hydride (NiMH)

Power

LED power	11 W - 16 W	Circuit power	14 W - 20 W
-----------	-------------	---------------	-------------

LED characteristics

CRI	80+	Colour temperature	4000 K
Rated life (hours)	100 K - L80/B10		

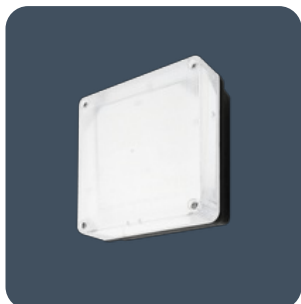
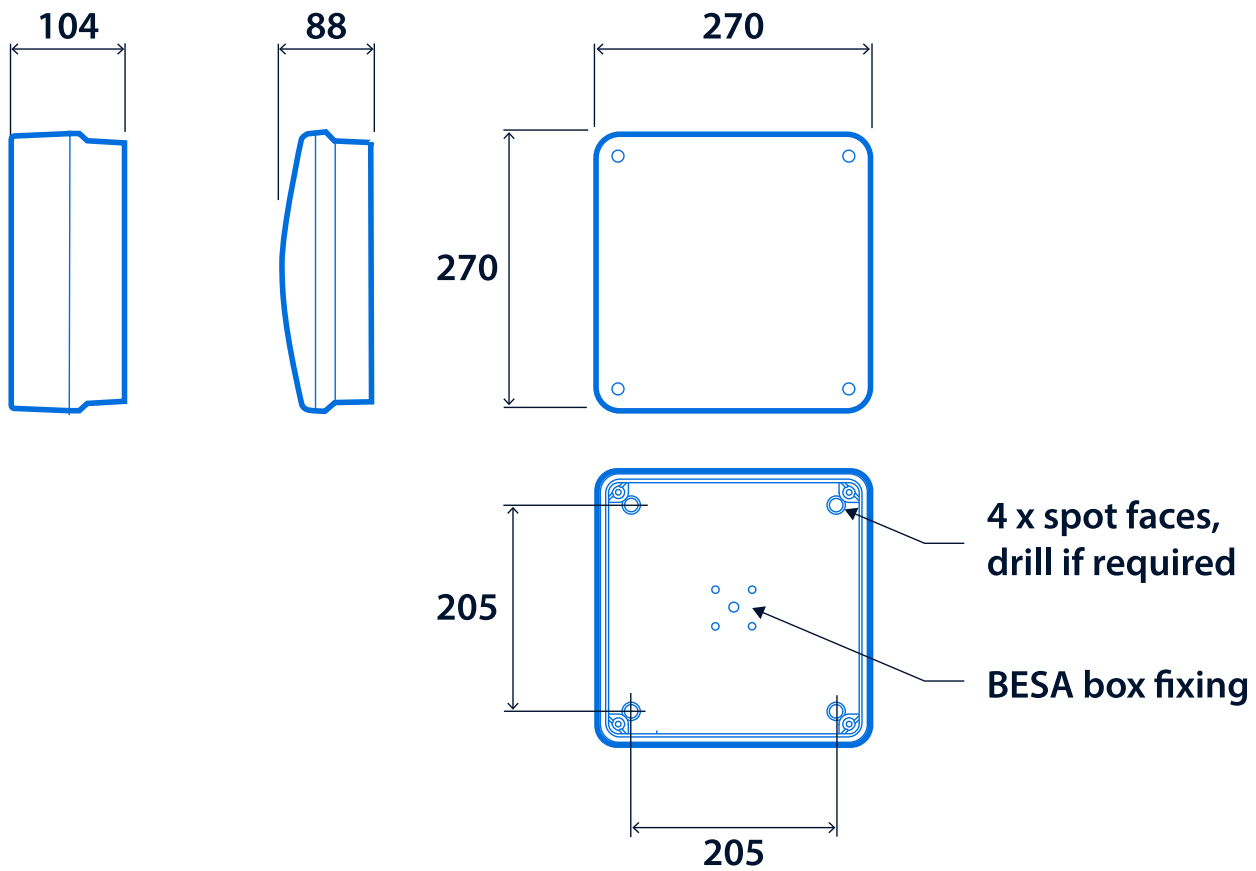
Compliance

UKCA	Yes	CE	Yes
C-Tick (Aus)	Yes	MOD compliance	JSP482 Chapter 8 Document for 'Category C' areas

Dimensions

Satin cover

Low profile satin cover





Click or scan here
View Prismalette variants using
our online filtering tool



Information is correct as of 01 Jan 2025, however must not be interpreted as a guarantee of individual product performance and/or characteristics. We reserve the right to alter specifications and designs without prior notice.