

High performance ligature-resistant luminaires suitable for external walkways and perimeter lighting

Stylish IP66 wall mounted anti-ligature luminaires. Strong high-pressure die-cast aluminium body with high efficiency polycarbonate refractor secured using tamper-resistant screws. Less than 2% upward light.

- Strong high-pressure die-cast LM2 aluminium body with high efficiency prismatic polycarbonate front cover
- Wide distribution or area distribution options
- Highly specular, multi-faceted injection moulded vacuum metallised reflector on wide distribution versions
- Excellent distribution with less than 2% upward light component
- T30 pin Torx tamper-resistant cover screws as standard
- 4000 or 5700 K options



IP66

IK11

Up to 127.6 LL/CW

Specification

Mounting	Surface	IP rating	IP66
Impact rating	IK11		

Lighting

Optic	Clear cover Prismatic cover	Lumen output	1,320 lm - 5,635 lm
Efficacy	Up to 127.6 LL/CW		

Emergency data

Emergency lumen output	365 lm - 385 lm	Emergency type	Maintained
Emergency duration	3 hours	Battery specification	Nickel Metal Hydride (NiMH)

Power

LED power	8 W - 42 W	Circuit power	11 W - 47 W
-----------	------------	---------------	-------------

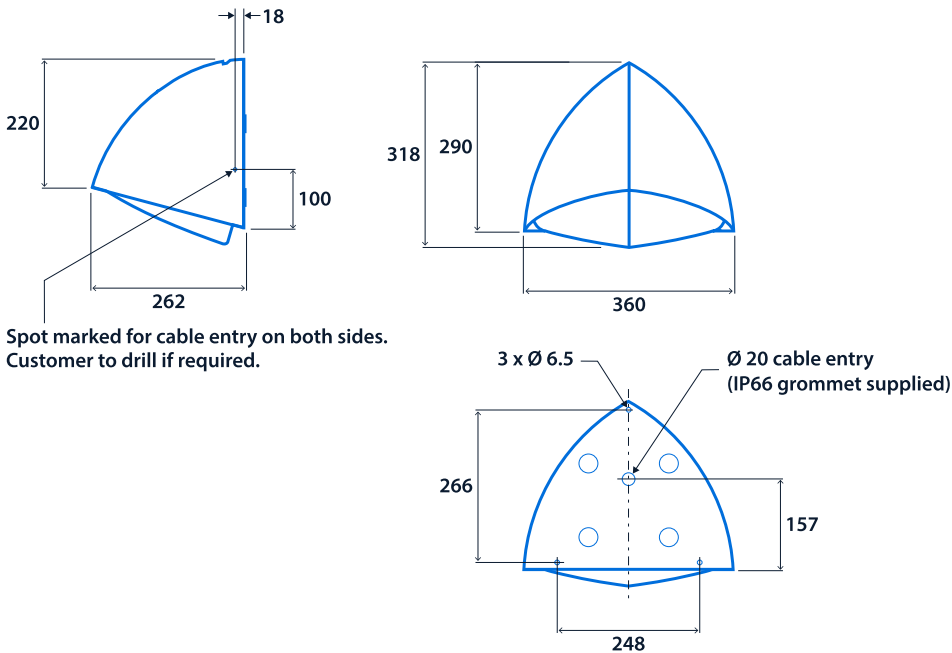
LED characteristics

CRI	70+ 80+	Colour temperature	4000 K 5700 K
Rated life (hours)	Up to 100 K - L90/B10		

Compliance

UKCA	Yes	CE	Yes
C-Tick (Aus)	Yes		

Dimensions





Click or scan here
View Realta AL variants using
our online filtering tool



Information is correct as of 15 Jan 2025, however must not be interpreted as a guarantee of individual product performance and/or characteristics. We reserve the right to alter specifications and designs without prior notice.